







Performances											
Energy											
	Thermal Insulation ⁽¹⁾ EN ISO 10077-2	Uf-value up to 2.35 W/m ² K, depending on the frame/vent combination									
Comfort											
	Acoustic performance ⁽²⁾ EN ISO 140-3; EN ISO 717-1	Rw (C; Ctr) = 35 (-2;-6) dB / 39 (-1;3) dB, depending on glazing type									
	Air-tightness, max. test pressure ⁽³⁾ EN 12207	1 (150 Pa)	2 (300 Pa)	3 (600 Pa)	4 (600 Pa)						
	Water-tightness ⁽⁴⁾ EN 12208	1A (0 Pa)	2A (50 Pa)	3A (100 Pa)	4A (150 Pa)	5A (200 Pa)	6A (250 Pa)	7A (300 Pa)	8A (450 Pa)	9A (600 Pa)	E900 (900 Pa)
	Wind load resistance, max. test pressure ⁽⁵⁾ EN 12211; EN 12210	1 (400 Pa)	2 (800 Pa)	3 (1200 Pa)	4 (1600 Pa)	5 (2000 Pa)					
	Wind load resistance to frontal deflection EN 12211; EN 12210	A (≤ 1/150)		B (≤ 1/200)			C (≤ 1/300)				
Safety											
	Burglar resistance ⁽⁶⁾ ENV 1627 – ENV 1630	WK1		WK2			WK3				

This table shows classes and values of performances which can be achieved for specific configurations and opening types.

- The Uf-value measures the heat flow. The lower the Uf-value, the better the thermal insulation of the frame.
- The sound reduction index (Rw) measures the capacity of the sound reduction performance of the frame and glasses.
- The air tightness test measures the volume of air that would pass through a closed window at a certain air pressure.
- The water tightness test involves applying a uniform water spray at increasing air pressure until water penetrates the window.
- The wind load resistance is a measure of the profile's structural strength and is tested by applying increasing levels of air pressure to simulate the wind force.
- The burglar resistance is tested by static and dynamic loads, as well as by simulated attempts to break in using specified tools. This variant requires specific burglar resistance accessories.
- Please refer to Reynaers' CE passport for all technical data including size limitations.

Olsen Doors and Windows Ltd • British Fields • Tuxford • Nottinghamshire • NG22 0PQ

T 01777 874510 E enquiries@olsen.uk.com

www.olsen.uk.com
www.reynaersathome.co.uk



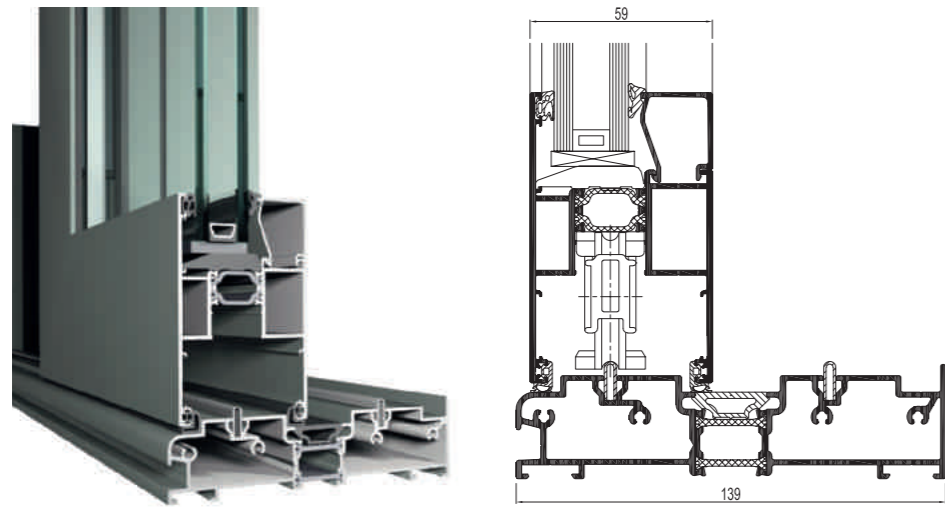
CP 130

CP130 is a premium insulated sliding system combining high weather performance with enhanced security and great aesthetics.

Available in slide or lift-and-slide variants, this sliding door system is designed with ease of use in mind. The system not only glides smoothly, it also has a slim-line mid-section interlock to maximise the glass area and can be specified with our integrated ventilation system, Ventalis.

With a maximum vent weight of 300kg and a maximum height of 2.7m, this versatile system is ideal for most residential applications. Our revolutionary open corner system for the CP130-LS makes it possible to open up two sides of a room with no corner post, creating a truly remarkable architectural feature.





Letting the outside in

A sliding door opens up a multitude of possibilities. Open this door just a few centimetres for a little fresh air, a little wider to slip out into the garden or open it all the way to really let the outside in. This versatile door creates an extra feeling of space and generates more natural light within the home.

CP130 Slide and CP130 Lift & Slide

All types of CP130 sliding door use durable, stainless steel wheels and rails for ease of operation. In the case of the lift and slide system, the sliding door is lifted slightly before opening or closing. This reduces the friction and makes the operation smooth and effortless. In the closed position, the lift and slide door is lowered onto the track, providing additional weather resistance.

Monorail, duo rail or 3-rail

A monorail system combines a moving part with a fixed glazed element that is anchored directly into the outer frame profile for a minimalistic look. The fixed pane is normally set to the inside of the track and is internally beaded.

Monorail	CP 130	CP 130-LS
	X	X

A duo rail system integrates two glazed opening vents with an identical appearance, giving an aesthetically pleasing and versatile sliding door. Both vents can be made as sliding elements, giving total flexibility.

Duo rail	CP 130	CP 130-LS
	X	X

A 3-rail system makes it possible for a third opening vent to be installed. This solution allows the user to slide door leaves one and two behind leaf three, opening up two-thirds of the width to the garden.

3-rail	CP 130	CP 130-LS
	X	X

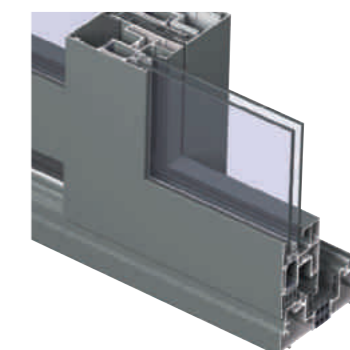


Technical characteristics

Variants		CP 130 Monorail, duo rail and 3-rail	CP 130-LS Monorail, duo rail and 3-rail
Visible width / height	Frame / Threshold	50 / 28 mm	20 / 28 / 35 / 40 mm
	Vent	94 mm	94 mm
	T-profile	from 76 mm to 154 mm	from 76 mm to 154 mm
	Meeting section	69 / 98 mm	69 / 98 mm
	Meeting section 4 doors	194 mm	194 mm
Overall system depth	Frame	Monorail: 130 mm Duo Rail: 110 / 130 / 139 mm 3-Rail: 181 / 210 mm	Monorail: 139 mm Duo Rail: 139 mm 3-Rail: 210 mm
	Vent	59 mm	59 mm
Maximum element height		2700 mm	2700 mm
Maximum vent weight		300 Kg	300 Kg
Rebate height		25 mm	25 mm
Glass thickness		up to 42 mm	up to 42 mm
Glazing method		dry glazing with EPDM or neutral silicones	dry glazing with EPDM or neutral silicones
Thermal insulation		23 mm, 18.6mm and 32mm fibreglass reinforced polyamide strips	23 mm and 32mm fibreglass reinforced polyamide strips
HI variant		extra insulation gaskets	extra insulation gaskets



Flush floor integration



Slim Line middle section



Ventalis integration

CP130-LS open corner system

Designed exclusively for the CP130-LS duo rail system, this clever corner system comprises two sliding units that meet at a corner. Closed, the thick double weather gaskets protect against the elements; slide the two doors apart to open up the whole corner with no fixed corner post to get in the way or obstruct the view.

